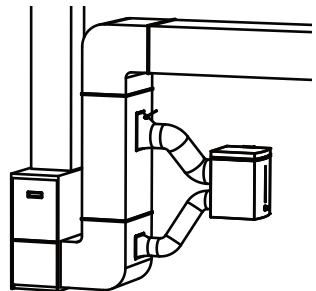




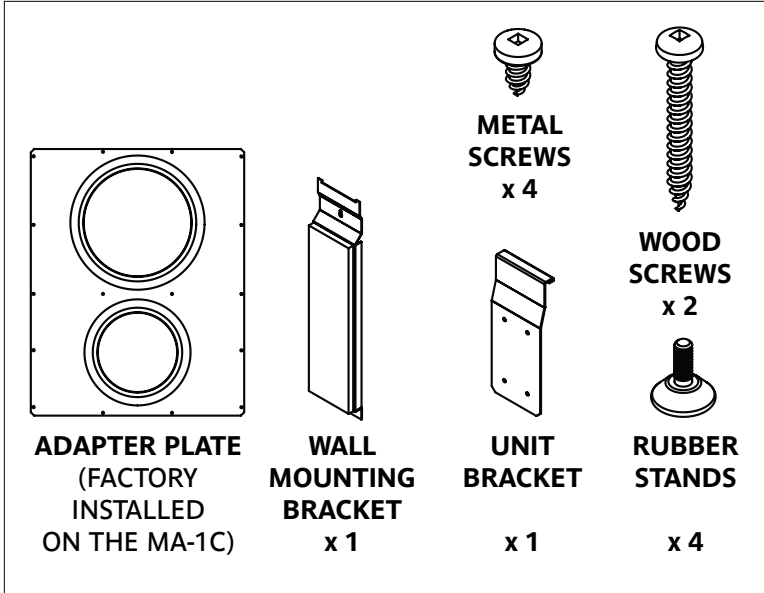
CENTRAL ADAPTER KIT INSTALLATION MANUAL

EPURAIR MA-1

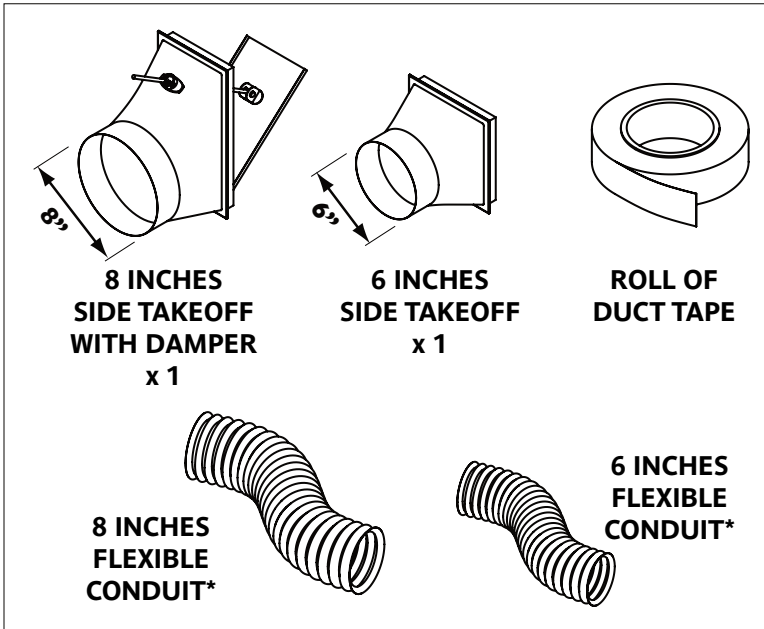
HEPA AIR FILTRATION SYSTEM



INCLUDED IN THE CONVERSION KIT

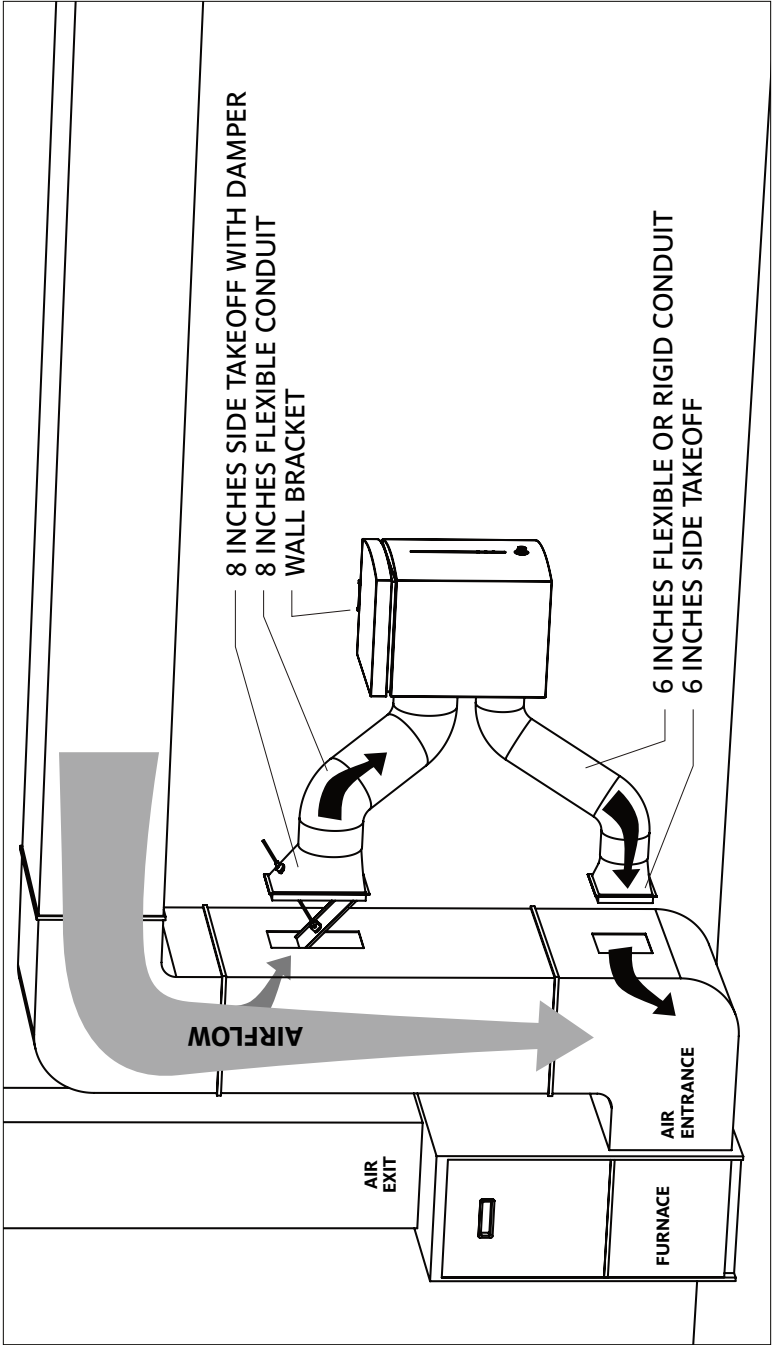


NOT INCLUDED IN THE KIT

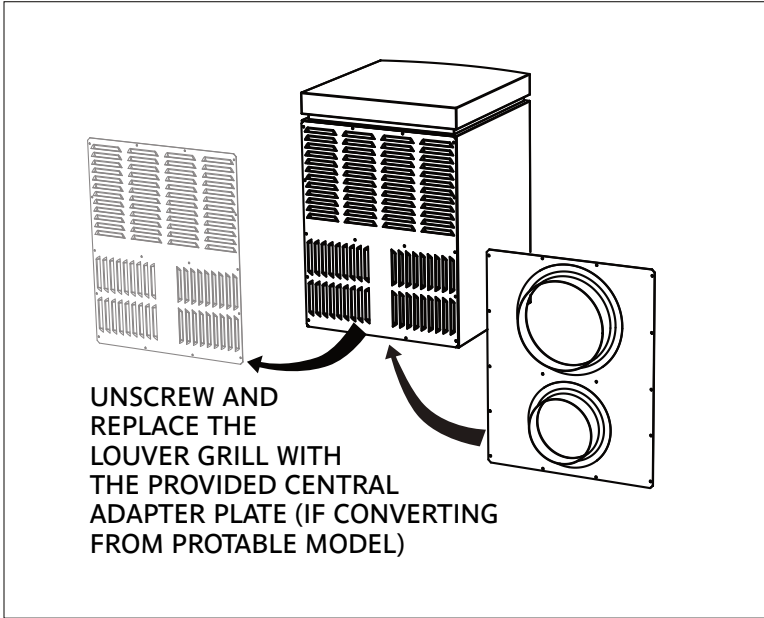


*Rigid conduits can also be used but make sure that there is enough clearance to the top (see step 5) to service the unit.

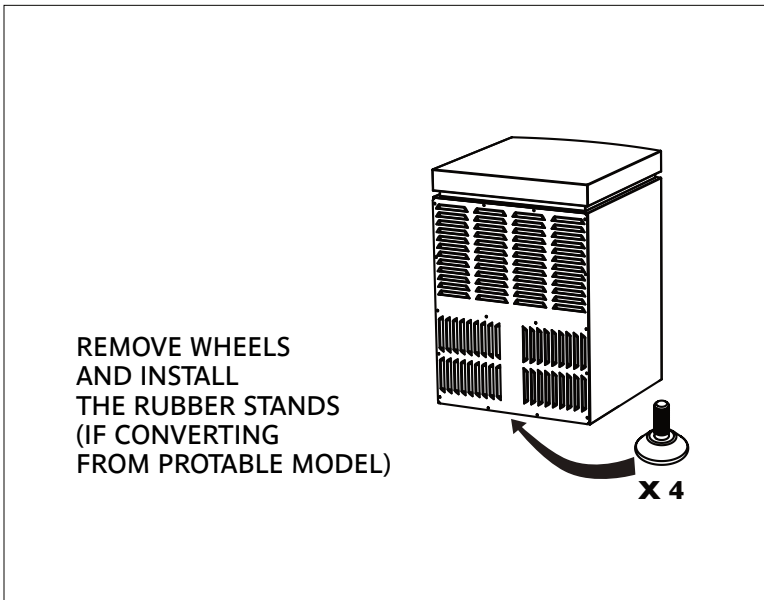
OVERVIEW OF THE FINISHED INSTALLATION



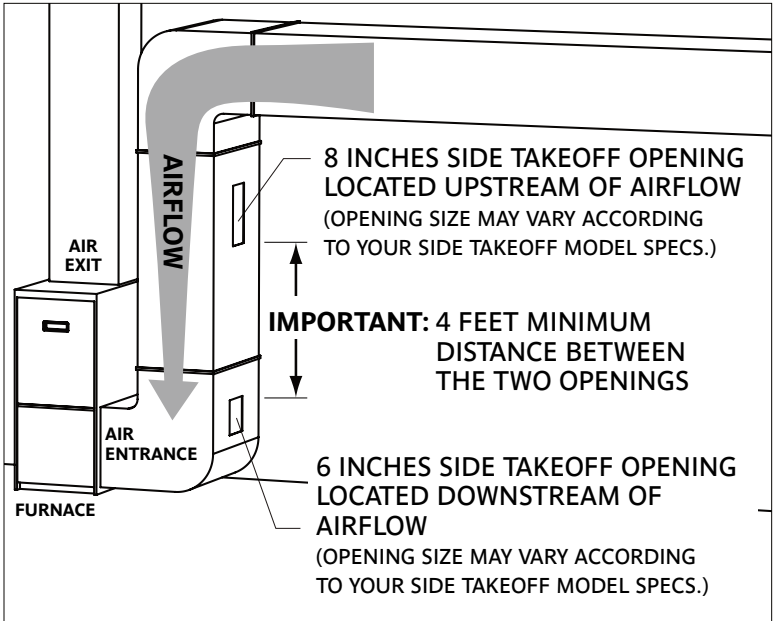
1- CONVERTING THE PORTABLE UNIT



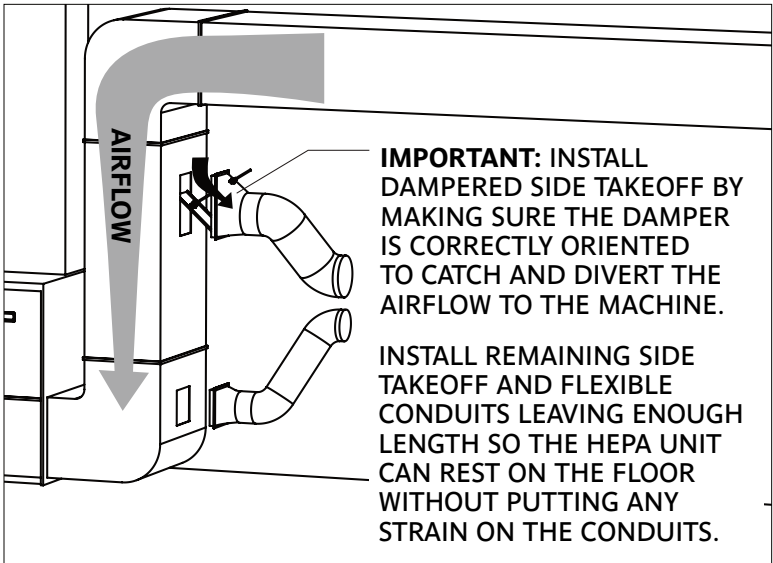
2- REPLACING OR INSTALLING THE RUBBER FEET



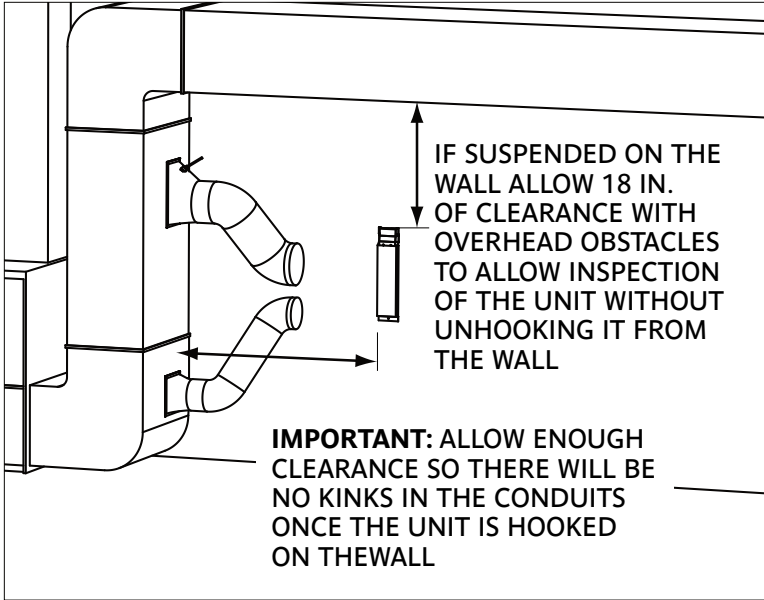
3- LOCATING AND CUTTING HOLES INTO THE DUCTS



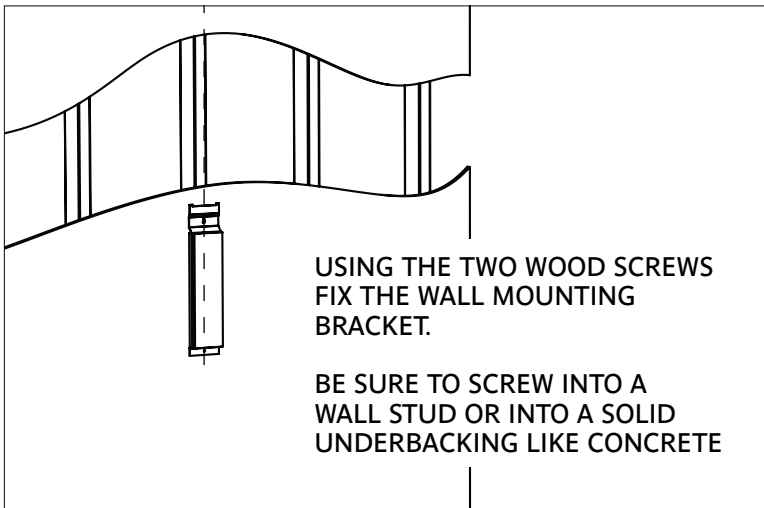
4- INSTALLING THE SIDE TAKEOFF



5- LOCATING THE WALL MOUNTING BRACKET

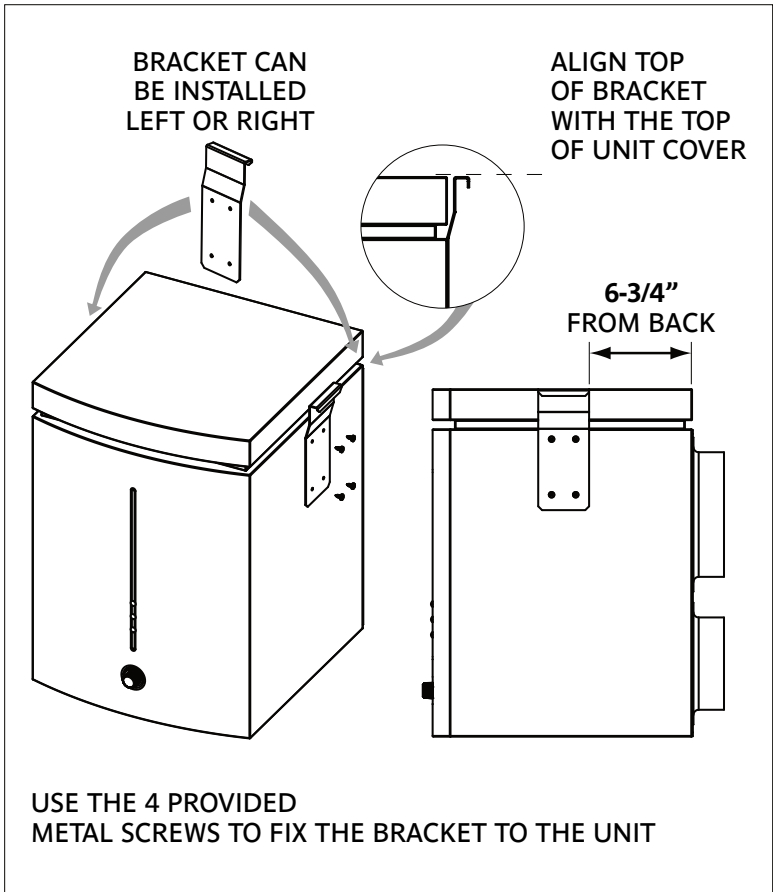


6- INSTALLING THE WALL MOUNTING BRACKET



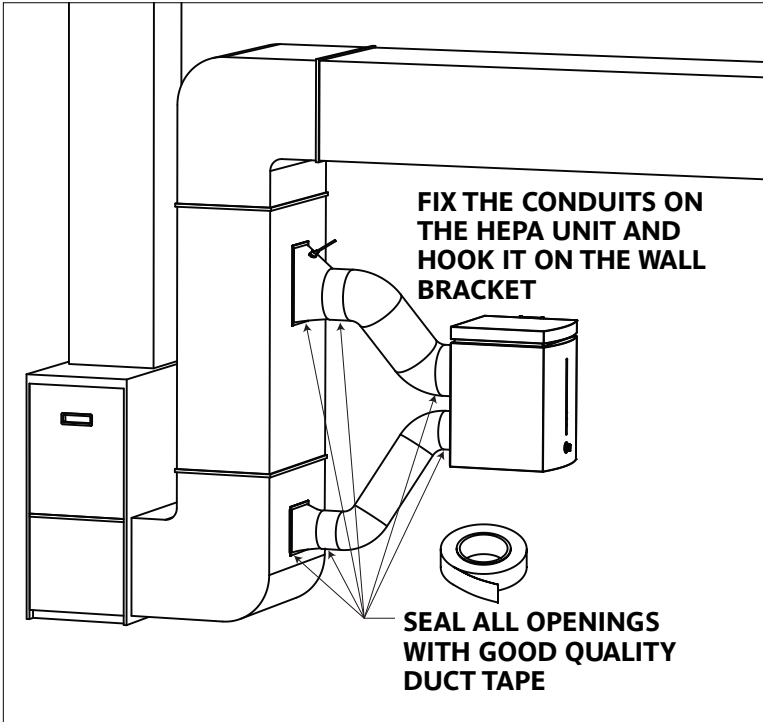
7- INSTALLING THE MOUNTING BRACKET ON THE HEPA UNIT

IF YOU DECIDE TO HANG THE UNIT TO THE WALL



NOTE : Although the unit is meant to be hung some people leave it on the floor when they are unable to find a wall close enough.

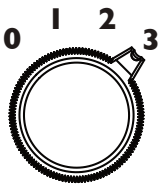
8- CONNECTING THE HEPA UNIT AND SEALING THE JOINTS



9- FINISHING THE INSTALLATION

PLUG THE UNIT DIRECTLY
IN A 3 PIN GROUNDED ELECTRICAL OUTLET
WITHOUT USING ANY EXTENTION CORD

TURN THE SPEED SELECTOR TO 3



YOU'R DONE

BLANK

BLANK

Epurair inc.
149 J.-A.-Bombardier street
Boucherville (Quebec) J4B 8P1
Canada

Toll Free: **1-800-205-1108**

www.Epurair.com

Epurair has the right to change
any specification without
notice.

